

# SLZ 1200 E

## Cycle control:

Heidenhain MANUALplus 620 or Siemens 840D SolutionLine with user interface Operate with manual functions

## Specifications and performance

### Specifications

SLZ 1200	Unit	Value
Swing over bed	mm	1.250
Swing over cross slide	mm	850
Bed width	mm	750
Spindle head in accordance with DIN 55027	size	15
Spindle bore $\varnothing$	mm	130/530 (Option)
Spindle $\varnothing$ in the front bearing	mm	220/670 (Option)
Tailstock quill $\varnothing$	mm	160
Tailstock stroke	mm	315
Tailstock Morse taper	MK	6
Center distance	m	1,0-20,0

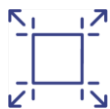
### Performance

SLZ 1200	Unit	Value
Main drive	KW	46
Speed range	1/min	710

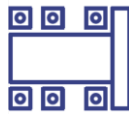
### Dimensions

Length	mm	3.800 +Center distance
Width	mm	3.300
Height	mm	2.550

### Please note:



Box-type bed design  
750 mm bed width  
and support guide at  
the front

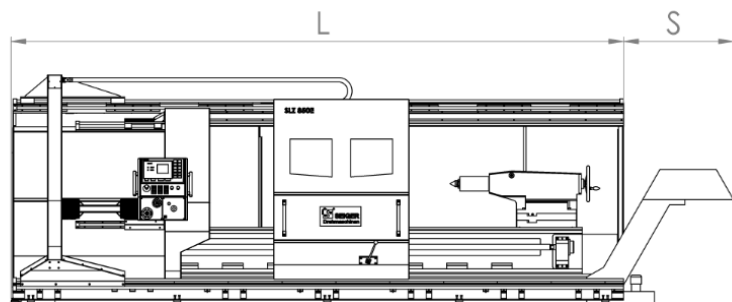
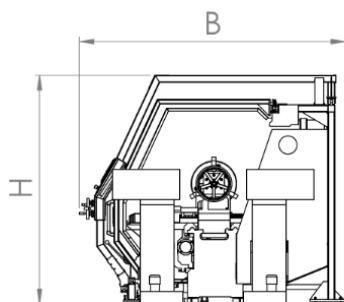


Headstock 3 bearing  
points with radial and  
axial bearings



Optimized paneling  
concept for large chip  
volumes

Plus control cabinet of approx. 500 x 2000 mm



Technical changes and errors excepted